



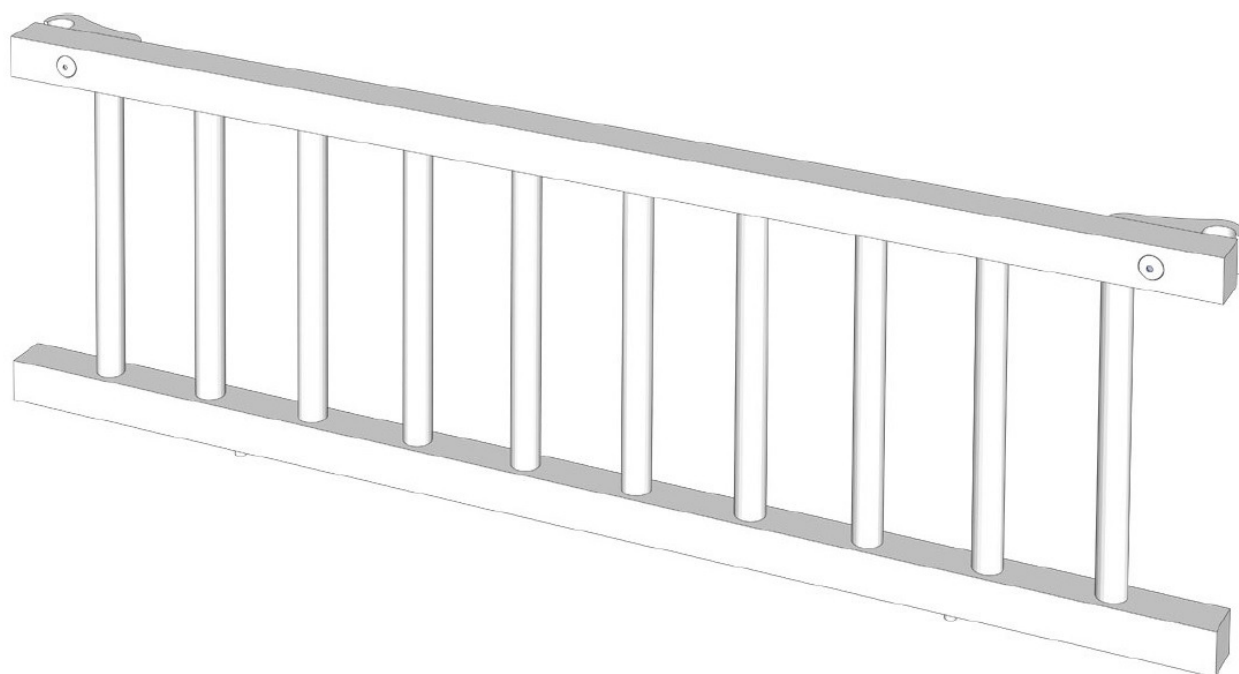
Assembly Instructions for Babybay Side Rail

 UK Distributors ~ NSAUk
Godalming, GU8 6AA

 01483 425609

 sales@nsauk.com / marketing@babybayuk.org

 www.nsauk.com/babybay



Important!

Keep for future reference. Please read carefully before use.



Important Safety Notes for Babybay®

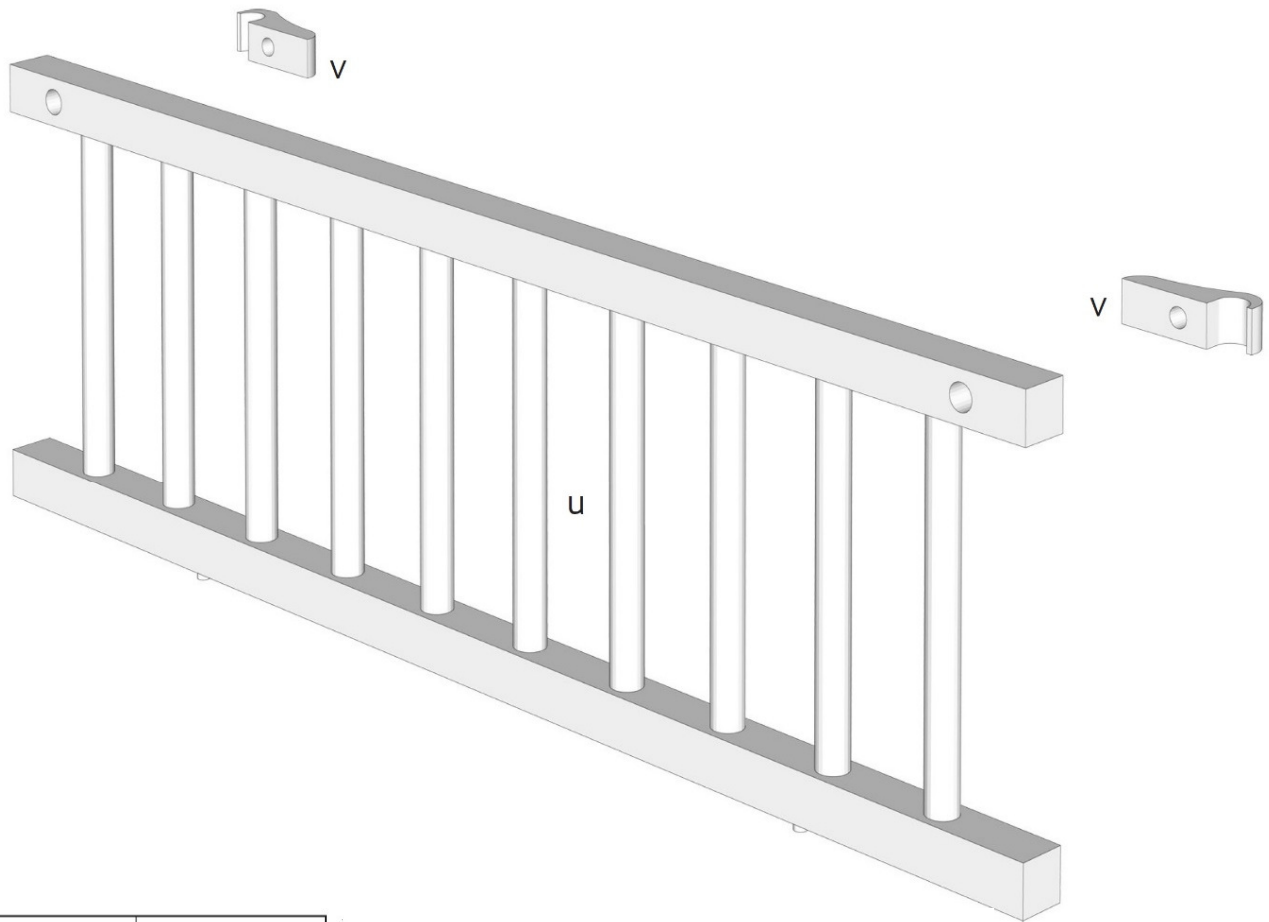
1. Discard all packing materials immediately after opening. Plastic bags and packaging can cause suffocation or choking.
2. Do not leave your child unattended in the Babybay® cot without the side rail being in place.
3. Check this product for damaged hardware, loose joints, missing parts, or sharp edges before assembly and periodically during use.
4. Test Babybay's clamps or fixings regularly to ensure that it is securely fixed to your bed.
5. Do not use if any parts are missing, damaged, or broken. Contact NSA^{UK} for replacement parts and instructions if needed. Never make modifications yourself or use substitute parts. Contact NSA^{UK} on +44 (0)1483 527799 or sales@nsauk.com.
6. The level of the Babybay® mattress must be a minimum of 10 inches / 25 cms below the top edge of the frame.
7. Use the correct, Babybay® shaped mattress with Babybay® – do not replace with an alternative size mattress.
8. Never use additional padding or add a second mattress. Adjust the height of your Babybay® as directed in these instructions.
9. Do not place your Babybay near a window where cords from blinds or curtains pose a risk to your child. Strings are a serious hazard. Do not suspend strings over Babybay®.
10. Your Babybay® must be properly secured to your bed using the attachment system provided, never try to secure the Babybay® with other means – this will pose a risk to your child.
11. Keep Babybay® away from all direct heat sources (including direct sunlight).
12. DO NOT allow older siblings to climb or play on or under Babybay®.

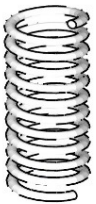
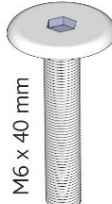


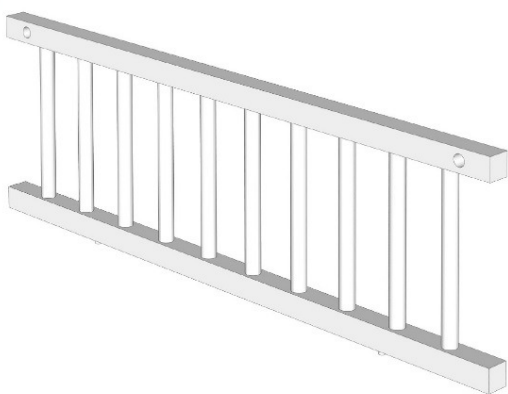
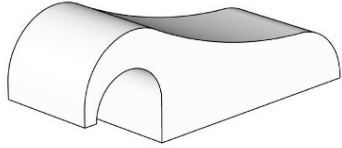
1. The Babybay® cot is designed to provide a safe and secure sleeping place, next to parents.
2. It is fully height adjustable and should always be securely clamped to the parent's bed with the clamps provided.
3. It is vital that the Babybay® mattress height is level to that of the parent's bed. When erected and secured, there should be no ridge or gap between the Babybay and the parent's bed.
4. Extension panels can be purchased to bridge any gap between Babybay® and parent's bed – if in any doubt, contact NSA^{UK} for advice.
5. Babybay® is designed to be used until your baby is around 6 months old – this is a guide only and parents should stop using Babybay® when their baby is able to sit upright unaided. Parental care and responsibility should be exercised at all times.
6. These instructions should be read carefully and retained for future reference.

Care Instructions for Babybay®

7. To clean the Babybay®, just wipe with a damp cloth. Do not use abrasive agents.
8. Place Babybay® on a level surface.
9. Do not allow small children to play unsupervised nearby.
10. Babies should never be left unattended or sleeping in Babybay®.
11. Make sure that the side rail is locked securely in place when your child is in the Babybay®.
12. If you are using castors (available separately), make sure that the side rail & castor brakes are locked securely when your child is in the Babybay®.
13. Attach Babybay® to your bed with the special clamps provided.
14. Once your child can sit up by itself, kneel, or pull itself up, no longer use Babybay® for sleeping.
15. All fittings must always be fastened properly and correctly.
16. Screws and components must never be loose, otherwise your baby may get pinched. In addition, baby's clothes (or cords, collars or ribbons for dummies, etc.) could become caught and result in strangulation.
17. If any part is missing, broken, damaged or torn off on your Babybay®, do not use it until it has been properly repaired by a qualified professional; alternatively, replacements spare parts available from NSA^{UK}.
18. Only use mattresses supplied by NSA^{UK} in the UK because only these can be guaranteed to be manufactured to the correct British Standard and fit for Babybay®.
19. Babybay® must never be placed in the vicinity of an open fire or other strong heat sources such as electric heaters, gas stoves, etc.
20. The warranty is void if the care instructions described above are not followed.

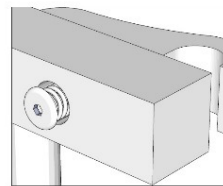
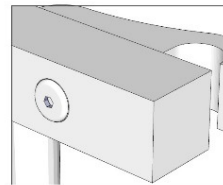
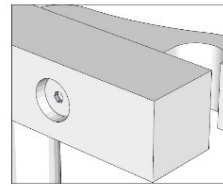
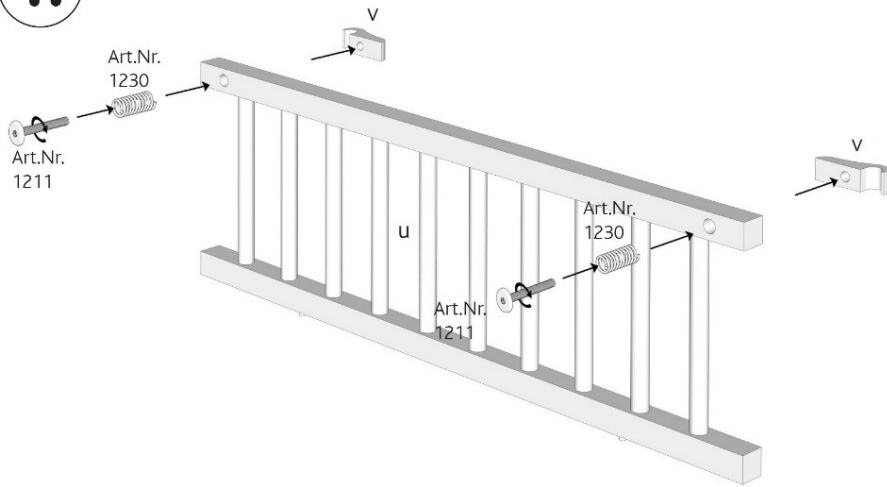
Parts List



| | | |
|---|---|---|
| <p>Art.Nr. 1230</p>  <p>2x</p> | <p>Art.Nr. 1211</p>  <p>M6 x 40 mm</p> <p>2x</p> |   |
| <p>u</p>  <p>1x</p> | <p>v</p>  <p>2x</p> | |

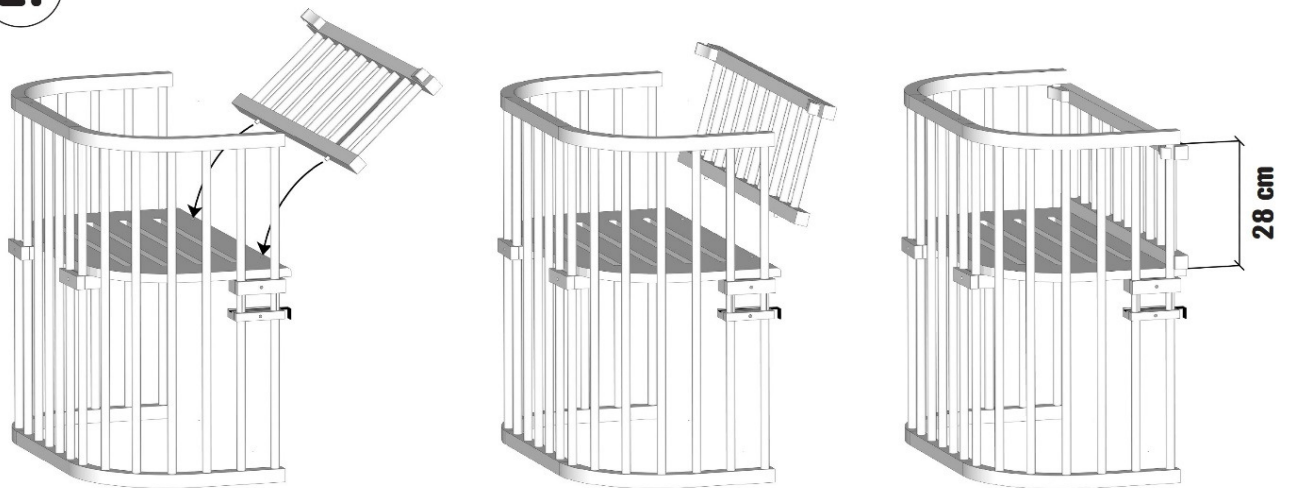
Assembly 1

1.



Note:
Do not over-tighten the bolt – you may damage the hinge.

2.



3.

