



Instruction manual

(March 2017)

- ❖ 1.11m tall
- ❖ Remote Control
- ❖ Soft Touch Controls w. Dust Cover
- ❖ Variable Speed
- ❖ 90°, 180°, 360° Oscillation
- ❖ 12hr Timer (On & Off)
- ❖ Sleep Mode
- ❖ Temperature Display
- ❖ Ioniser
- ❖ Carry Handle

Please keep safe for future reference

Introduction

Thank you for purchasing the Ultimate Column Fan with LCD display, 360° Oscillation & Remote Control TF-21RC. This elegant column fan is ideal for any location ~ home or office. It combines stylish good looks with exceptional cooling performance and its almost silent operation makes it the most desirable fan of its class ~ truly the ultimate column fan. Electronic control panel with digital display.

The equipment bears the CE mark indicating its conformity with the provision of EC regulations.

Safety Instructions

Please read this instruction manual before using your Column Fan for the first time and keep safe for future reference.

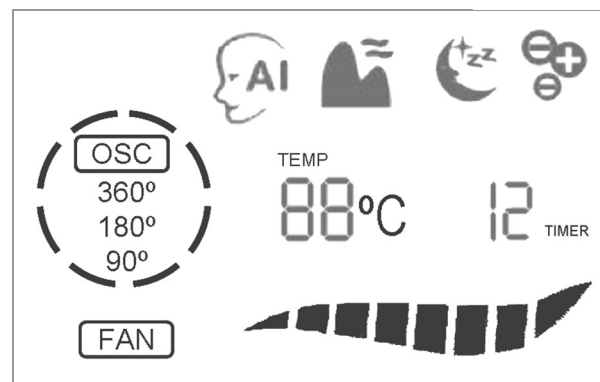
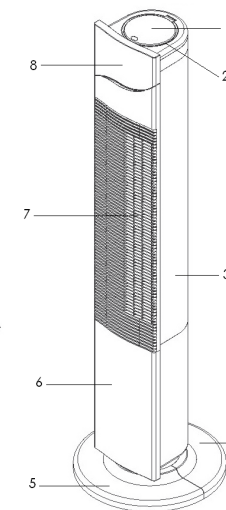
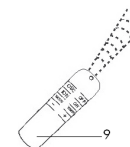
CAUTION: Use the fan only as described in this manual.

1. Check the household voltage to ensure it matches the fans rated specification before using.
2. Always use this devise in accordance with the instructions.
3. Close supervision is necessary when this fan is used near children and pets.
4. Do not allow children to play with any product packaging, such as plastic bags.
5. Always check the device for visible damage before use.
6. Repairs may only be carried out by an authorised repair centre; incorrect handling and faulty repairs may lead to danger and invalidate warranty.
7. This fan is not intended for use in wet or damp locations.
8. Never position the fan in an area where it may fall into a bath or other water container.
9. Do not use the equipment if it has any damaged parts, or it has fallen into water. Return the product to a service centre for examination and repair.
10. Always place your fan on a firm, dry, level surface away from curtains and soft furnishings, ensuring the air intake panel is free from obstructions.
11. Do not insert any object into the grille whilst the fan is operating. It may cause damage to persons or property.
12. Always use both hands to carry this product.
13. This fan is intended for indoor, domestic & light commercial use only and is not to be operated outside.
14. Do not operate the fan near an open flame, cooking or heating appliance or hot surface.
15. Disconnect the unit from the electrical outlet before cleaning, moving or storing.
16. To disconnect from the power supply, switch off the power, grip the plug and pull from the power socket. Never pull by the cord.
17. Arrange the power cord away from an area where it may be tripped over.
18. Never place the power cord under a carpet or rug.
19. This appliance is not intended for use by persons (including children) with reduced physical, sensory or mental capabilities, or lack of experience and knowledge, unless they have been given supervision or instruction concerning use of the appliance by a person responsible for their safety. Children should be supervised to ensure that they do not play with the appliance.
20. Keep the remote control in a safe place when not in use.

2

Parts Description

- 1 Control panel
- 2 Dust cover
- 3 Back panel / Air intake
- 4 Rear base plate
- 5 Front base plate
- 6 Front panel
- 7 Air outlet / Louvres
- 8 Full colour LCD display
- 9 Remote control (storage hook on back panel below integrated carry handle)

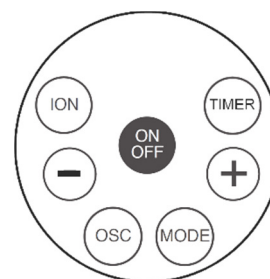


LCD Colour Display Panel:

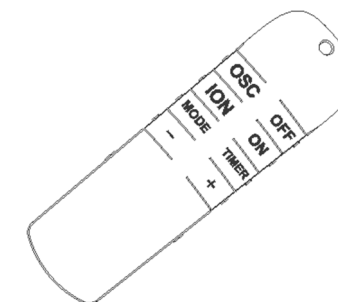
Top: Auto Mode;
Breeze Mode;
Sleep Mode;
Ion

Middle: Oscillation;
Room Temperature;
12hr Timer

Bottom: Fan,
Variable Speed Setting



Control Panel
(under Dust Cover)

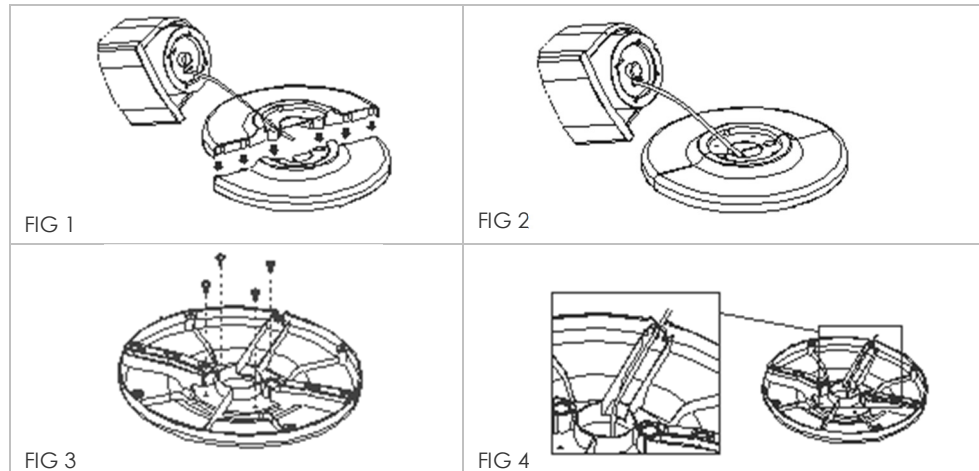


Remote Control

3

Assembly Method

- Please assemble correctly according to the following sequence.
- Please keep the original packaging for future storage.



- Fig 1 **Assemble Base Plate**
- Remove the screws from the base plate.
 - Insert the power lead between the front & back base plates.
 - Make sure the holes of front base correspond with the holes of rear base, fig.1
 - Click the two base plates firmly together as indicated.
- Fig 2 **Fixing Base Plate to Fan**
- Gently up-end the fan.
 - Insert the rotor base of the main unit into the base plate.
- Fig 3
- Align the screws with the rotor base and make sure the base plates are connected firmly.
- Fig 4
- Place the power cord into the clip slot.
 - Carefully place fan upright on its base and plug into the mains supply.

How to install the battery of the Remote Control:

- Open the cover of battery compartment according to the direction shown.
- Install the battery into the battery compartment. Take care of the polarity of the battery, which is indicated inside the compartment.
- Close the battery cover.

NB Please dispose of used batteries responsibly.



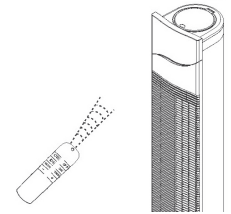
Accessory: Remote Control

- Be sure to direct the remote control toward the receiver on the control panel.
- Use the remote control within 5 metres from the receiver. If the remote control is not directed towards the receiver; the effectiveness will be reduced.
- Do not place any obstacle between the receiver and remote control.
- Please treat your remote control with care. Knocking or dropping will reduce its reliability.
- Please store the remote control safely when not in use.

Operating Instructions

The fan can be operated either manually by the control panel on the fan unit itself or by the remote control supplied with the product.

It has a digital thermometer to measure and show the ambient/room temperature upon plugging the appliance into the power supply. The tolerance is approximately $\pm 2^{\circ}\text{C}$. The digital thermometer can measure temperature between 0° to 40°C .



ON/OFF Press to switch on the unit and press again to stop the fan from running. The room temperature will display as long as the fan is plugged into the mains supply.

SPEED: Press “⊕” to increase or “⊖” to decrease the speed setting of the fan. Continue pressing the “⊕” or “⊖” buttons until the desired speed is reached.

Normal Breeze 8 Speed Settings

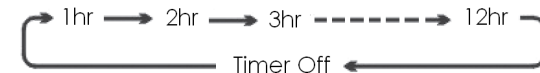
3 Speed Settings for Mode Choices

Low → Medium → High

Reset ←

PRESET TIMER: With power OFF, Press TIMER button, then “⊕” to increase or “⊖” to decrease to set the timer from 1 to 12 hours delayed start.

TIMER: With power ON, Press TIMER button, then “⊕” to increase or “⊖” to decrease hours to set the timer from 1 to 12 hours to turn off. Use in conjunction with the Mode settings on page 7.



OSC: The Ultimate Column Fan has 3 oscillation modes ~ 90° , 180° and 360° . Press OSC on manual control panel or on the remote control to start oscillation function. The corresponding oscillation angle will display on the LCD.

- Press once, the appliance will oscillate left and right at 90° ;
- Press twice, the appliance will oscillate left and right at 180° ;
- Press a third time, the appliance will oscillate 360° continuously;
- Press the OSC button again to deactivate the oscillation function.

ION: Press the ION button to activate the ion function. The fan will emit negative (-) ions to help clean & freshen the surrounding air. The blue icon indicates the ioniser is activated. Press again to deactivate ION function.

Operating Instructions (continued)



MODE: This is the air selection button.
Press the button once to operate auto/AI (artificial intelligence) mode;
Press again to operate the natural breeze mode;
Press for a third time to operate the sleep mode;
Press for a fourth time to turn-off the wind mode function.

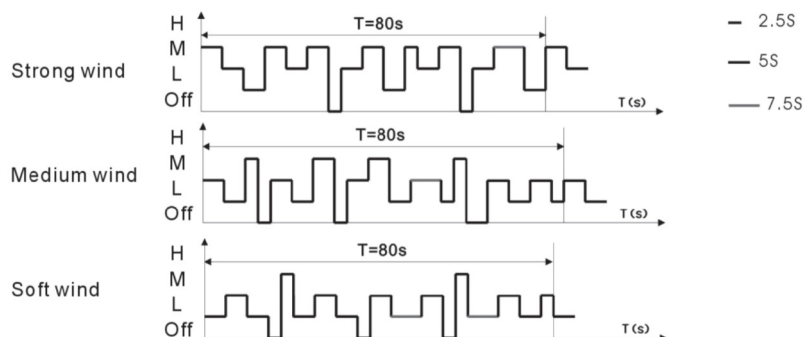


AUTO/AI (Artificial Intelligence): The mode setting will adjust fan speed automatically taking into account to the ambient room temperature sensed by the digital thermometer (the higher the room temperature the stronger the breeze setting). Use in conjunction with the timer OFF function.



NATURAL

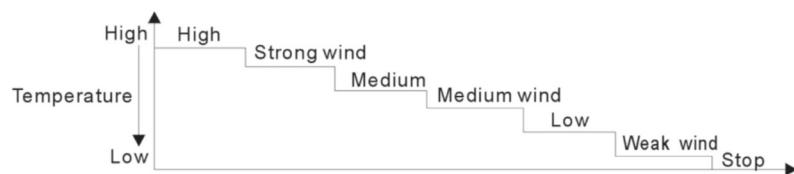
BREEZE MODE: This mode has three types of air cycles: strong, medium and soft breeze, which simulates natural wind cycles or rhythms and varies according to the set fan speed ~ use the "⊕" or "⊖" buttons. The sequences are shown below:



SLEEP

SLEEP MODE: This mode has three types of air cycles: strong, medium and soft breeze ~ use the "⊕" or "⊖" buttons to set fan speed.

1. At high setting, strong wind will operate at first then will step down to medium wind, to soft wind, to a halt and will return to strong wind. This cycle will carry on continuously or until the timer switches off.
2. At medium setting, medium wind will operate at first then will step down to soft wind, to a halt and will return to medium wind; this cycle will continue.
3. At low setting, soft wind will operate at first then the fan will stop and then return to soft wind; this cycle will continue indefinitely until manually powered off or the timer duration is reached.



6

Cleaning & Care

- ◆ Unplug the appliance before cleaning.
- ◆ Do not use any chemical-based solutions for cleaning fan surfaces.
- ◆ In order to remove the dust from the protective fan grille use a vacuum cleaner upholstery attachment.
- ◆ Slightly moisten a cloth and then wipe off the surfaces of the fan.
- ◆ Ensure fan is completely dry before storage or reconnecting to electrical supply.
- ◆ Never immerse the fan or fan motor in water or other liquid.
- ◆ If the fan is not used for long periods, protect with a suitable cover after cleaning, then store in a dry place.


This appliance complies with both the low voltage and electromagnetic compatibility directives. Its construction complies with current safety standards. We reserve the right to make technical changes without prior notice.

Recycling & Disposal

The packaging of your new fan has a recycle mark on it. Please dispose of it as recycled paper or by using the "Dual System".



Please Recycle

The symbol  on the product or on its packaging indicates that this product may not be treated as general household waste. Instead it should be handed over to the applicable collection point for the recycling of electrical and electronic equipment. By ensuring this product is disposed of correctly, you will help prevent potential negative consequences for the environment and human health, which could otherwise be caused by inappropriate waste handling of this product. For more detailed information about the recycling of this product, please contact your local council office, your household waste disposal service or the store where you purchased the product.

UK guarantee

For 24 months warranty in respect of defects found to be due to faulty workmanship or material. Proof of purchase is required for validity of the guarantee. This guarantee is no longer valid if the damage has been caused by fall, alteration or repair by any unauthorised persons.

This guarantee in no way affects your statutory rights.

Technical Data

Model No: TF-21RC
Voltage: 220-240V ~ 50Hz
Power: 40W
Ref: IM/TF21/1703/GU86AA
Dimensions: 1110 (H) x 340 (W) x 340 (D) mm
Weight: N.W. 5.21kg
G.W. 7.25kg
Class II Product



© 2017 Newton Stovold Assocs Ltd, GU8 6AA
www.nsauk.com

7